

SOLSTYCE



Overview

The SOLSTYCE Series lighting communications modules provide gateway functionality between a DALI installation and BACnet/IP systems. The gateway enables the control and monitoring of DALI ballasts and drivers from BACnet/IP systems.

SOLSTYCE modules also allow the integration and configuration of the specific parameters for DALI occupancy and light sensors.

Features & Benefits

- Individually control up to 64 addressable drivers and ballasts per channel, and configure up to 16 lighting groups for each channel
- Configure up to 16 lighting scenes per channel to complement various room lighting requirements (projection mode, presentation mode...)
- The SOLSTYCE communication modules allow BACnet/IP controllers to control and monitor DALI drivers and ballasts
- The SOLSTYCE communication module acts as a BACnet/IP gateway allowing ECLYPSE Controllers or other BACnet/IP devices to perform subscriptions (COV, requests and reads/writes to its internal points)
- Easy DALI commissioning (addressing, grouping...) and DALI line scanning using a dedicated configuration tool
- SOLSTYCE supports DALI-2 light and occupancy sensors
- SOLSTYCE supports DALI/DALI-2 drivers
- Various DALI device types are supported.

Drivers and ballasts (ECG):

- DALI Fluorescent lamps (DALI type 0)
- Self-contained Emergency lighting (DALI type 1)
- LED modules (DALI type 6)

Sensors (input devices):

- DALI-2 Occupancy sensors
- DALI-2 Light sensors

- Optimal solution for lighting control within large areas (atriums, entrance halls, cafeterias...)
- A complementary lighting solution to our Smart Room Control, which is ideal for enclosed spaces like offices

Model Selection

Example: SCY-**2DALI**

| Series | Model |
|--------|---|
| SCY- | 1DALI : 64 ballasts, 1 DALI channel, BACnet/IP |
| | 2DALI : 128 ballasts, 2 DALI channels, BACnet/IP |

Product Specifications

Power Supply Input (SCY-1DALI)

| | |
|-------------------|---------------|
| Voltage Range | 100 – 240 VAC |
| Frequency Range | 50 to 60Hz |
| Maximum Volt-Amps | 6VA |

Power Supply Input (SCY-2DALI)

| | |
|---------------|-------|
| Voltage Range | 24VDC |
|---------------|-------|

Communications

| | |
|---------------------------|--|
| Ethernet Connection Speed | 10/100 Mbps |
| DALI Data Rate | 1.2 kbps |
| BACnet Profile | BACnet Advanced Application Controller (B-AAC) |
| BACnet Listing | BTL |
| BACnet Interconnectivity | BBMD forwarding capabilities |
| BACnet Transport Layer | IP |

Hardware (SCY-1DALI)

| | |
|----------------|---|
| Ethernet | 1 × RJ-45 10/100 Mbps Ethernet port |
| Connections | 1 × DALI Port |
| Buttons | 2 × push buttons (Button A and Button B) |
| LED Indicators | 1 × Power (green) 2 × Ethernet Link/activity 1 × Dali (yellow) 1 × RX (green) 1 × TX (yellow) 1 × Button A indicator 1 × Button B indicator |

Hardware (SCY-2DALI)

| | |
|-----------------|--|
| Ethernet | 1 × RJ-45 10/100 Mbps Ethernet port |
| USB Connections | 1 × USB Type-A 2.0 Port (flash storage only) 1 × Mini-USB Type-B 2.0 Port (console port) |
| Connections | 2 × DALI Ports (Channel A and Channel B) |
| Buttons | 2 × push buttons (Button A and Button B) |
| LED Indicators | 2 × Run (Power)/Error 2 × Ethernet Link/Speed 2 × Port A TX/RX 2 × Port B TX/RX 1 × Button A indicator 1 × Button B indicator |

Terminal Wiring (power supply and low-voltage)

| | |
|---------|---|
| 1 core | 0.5mm ² ... 2.5mm ² |
| 2 cores | 0.5mm ² ... 1.5mm ² |
| 3 cores | not permitted |

Per terminal: solid wires or stranded wires (twisted or with ferrule). If cables are more than 3.05 meters long, Class 2 cable is required.

Battery (SCY-2DALI)

| | |
|----------|---------------------------|
| Size | Coin 20mm x 3.2mm |
| Capacity | 3V / 225mAh |
| Type | Manganese Dioxide Lithium |

Mechanical

| | |
|------------------------------------|---|
| SCY-1DALI (H × W × D) | |
| Net Dimensions | 90 × 105 × 58 mm |
| Recommended space for installation | 130 × 115 × 100 mm |
| SCY-1DALI Shipping Weight | 0.43 kg |
| SCY-2DALI (H × W × D) | |
| Net Dimensions | 90 × 88 × 58 mm |
| Recommended space for installation | 130 × 100 × 100 mm |
| SCY-2DALI Shipping Weight | 0.28 kg |
| Enclosure Material ¹ | Polycarbonate |
| Enclosure Rating | Plastic housing, UL94-V-0 flammability rating |
| Color | Light Grey. RAL 7035 |
| Mounting | Din-rail or wall-mounting |

1. All materials and manufacturing processes comply with the RoHS directive and are marked according to the Waste Electrical and Electronic Equipment (WEEE) directive

Environmental

| | |
|---------------------------|-------------------------|
| SCY-1DALI | |
| Operating Temperature | +0°C to +70°C |
| SCY-2DALI | |
| Operating Temperature | +0°C to +60°C |
| Relative Humidity | 5 to 95% non-condensing |
| Ingress Protection Rating | IP20 |

Standards and Regulations



DALI Port (SCY-1DALI)

| | |
|--------------------------------------|--|
| DALI Port (DA+ / DA-) | DALI port (Plug-in screw terminal block 2 poles) |
| DALI Port Voltage Rating (DA+ / DA-) | 16VDC |
| DALI Power Consumption | 220 mA |
| Voltage Isolation | 1500VDC isolation from other ports |

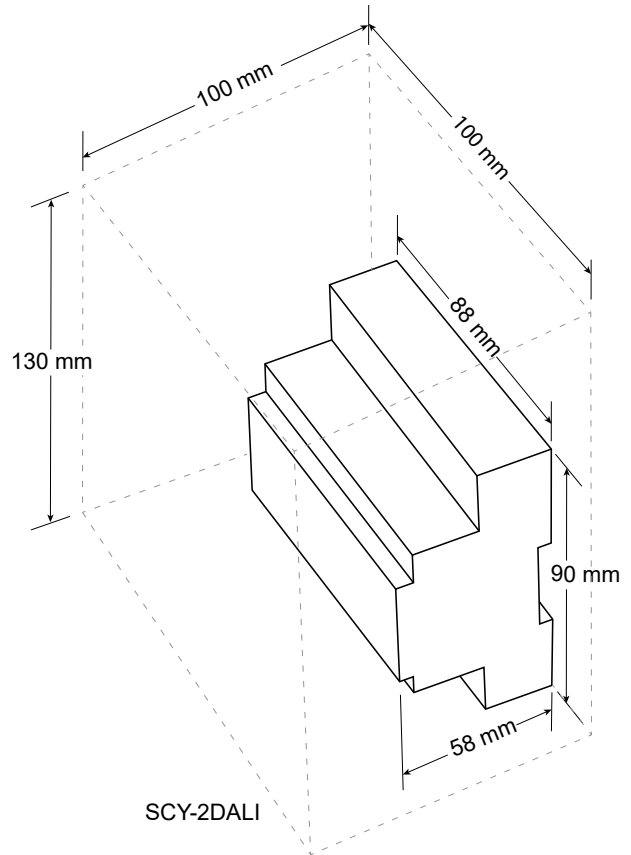
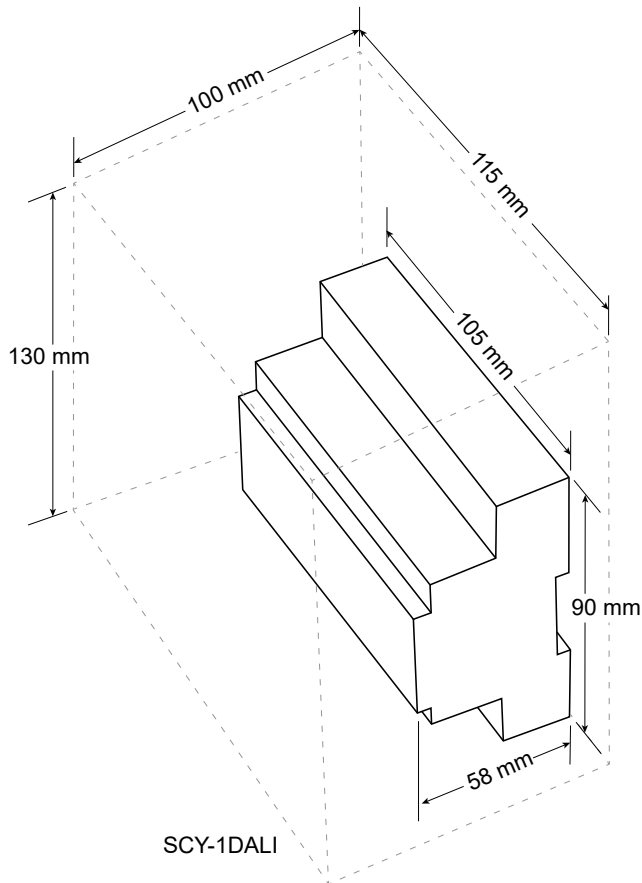
Channel A (SCY-2DALI)

| | |
|------------------------------------|---|
| DALI Channel A (A3 / A4) | DALI port (Plug-in screw terminal block 2 poles) |
| Channel A Voltage Rating (A3 / A4) | 16VDC |
| DALI Power Consumption | 240 mA |
| Voltage Isolation | 1500VDC isolation from other ports |
| DIP Switch | NOT USED (switches must remain in the off position) |

Channel B (SCY-2DALI)

| | |
|----------------------------------|--|
| DALI Channel B (1 / 2) | DALI port (Plug-in screw terminal block green 2 poles) |
| Channel B Voltage Rating (1 / 2) | 16VDC |
| DALI Power Consumption | 240 mA |
| Voltage Isolation | 1500VDC isolation from other ports |
| DIP Switch | NOT USED (switches must remain in the off position) |

Dimensions



Specifications subject to change without notice.

ECLYPSE, Distech Controls, the Distech Controls logo, EC-Net, Allure, and Allure UNITOUCH are trademarks of Distech Controls Inc. BACnet is a registered trademark of ASHRAE; BTL is a registered trademark of the BACnet Manufacturers Association. The Bluetooth[®] word mark and logos are registered trademarks owned by Bluetooth SIG, Inc. and any use of such marks is under license. All other trademarks are property of their respective owners.

©, Distech Controls Inc., 2015 - 2021 All rights reserved.

Global Head Office - 4205 place de Java, Brossard, QC, Canada, J4Y 0C4 - EU Head Office - ZAC de Sacuny, 558 avenue Marcel Mérieux, 69530 Brignais, France