

## TCIR range

Infrared remote controls

Compatible with **Dalilon®** and **Karno®** ranges



### Overview

Each infrared remote control allows to control one of the following comfort parameters:

- Lighting
- Sunblind
- HVAC

According to the remote control model, user can also select the occupancy mode.

This accessory sends orders to an infrared receiver or multi-sensor connected to a Dalilon® or Karno® controller.

### Applications

- A remote control allows occupants to manage room comfort parameters manually: lighting / sunblind / temperature and fan speed according to the selected model.
- It is possible to override occupancy mode to start the configured room comfort parameters.

### Features & Benefits

- It can be fixed on a wall-mounted support or used as a portable remote control.
- Simple and ergonomic product.

### Product warranty and total quality commitment

Our products are made in Europe and carry a two-year warranty. Distech Controls is an ISO 9001 registered company.

## Mono-Discipline Remote Controls Range

### Infrared technology



TCIR-C-PM

Infrared remote control with wall-mounted support (fixed remote control): HVAC management



TCIR-L

Infrared remote control: lighting management



TCIR-L-PM

Infrared remote control with wall-mounted support (fixed remote control): lighting management

TCIR-S

Infrared remote control: sunblind management

### Accessories



TCIR-SM

Wall-mounted support for a removable remote control

### Complementary Products

Dalilon<sup>®</sup> infrared receivers and multi-sensors receive orders emitted by infrared remote controls.



MS2-I-P

Infrared mini multi-sensor: presence detection

MS2-I-PL

Infrared mini multi-sensor: presence detection and Lux level measure

MS2-I-PLT

Infrared mini multi-sensor: presence detection, Lux level and temperature measures



RIR-I

Transparent infrared receiver



RIR-B

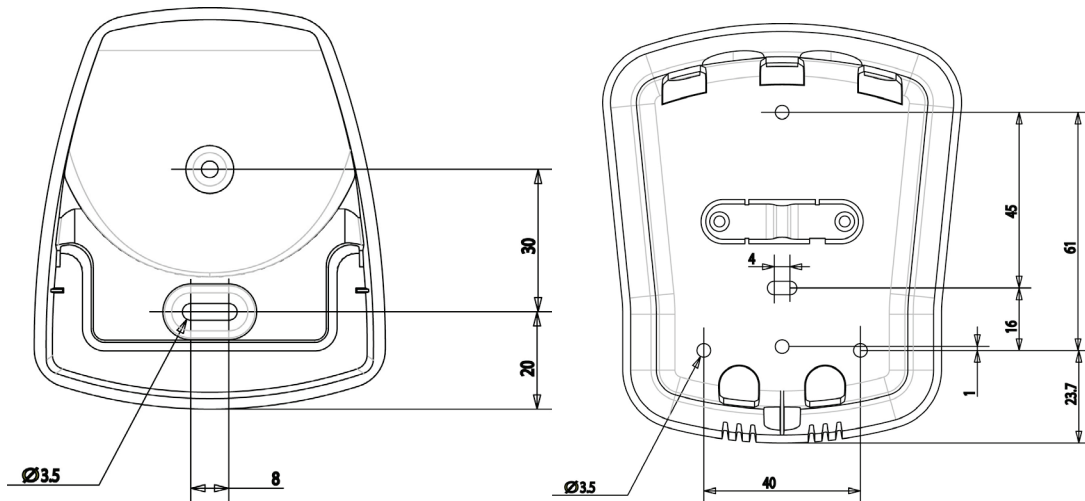
White infrared receiver



RIR-L

White infrared receiver and Lux level sensor

## Products specifications



### Physical specifications

Material	Polycarbonate
Color	White
Mechanical protection	IP 20

### Dimensions

Remote control	86 x 70 x 22mm
Remote control with wall-mounted support (removable)	90 x 72 x 28mm
Remote control with wall-mounted support (fixed)	107 x 92 x 25mm
Shipping box	118 x 100 x 4mm

### Shipping weights

TCIR-L and TCIR-S	0.10Kg
TCIR-C and TCIR-L-PM	0.14Kg

### Keypad

Material	Polyester
Keys number	6 keys

### Electrical specifications

Power supply	2 batteries, 1.5V LR03 type (AAA)
--------------	-----------------------------------

### Infrared reception

Direct sight range (remote control aligned with receiver)	RIR-I : 8m MS2, RIR-B and RIR-L : 6m
-----------------------------------------------------------	-----------------------------------------

### Environment

Operating temperature	+5°C to +45°C
Storage temperature	-20 °C to +70°C
Relative humidity	+20% to +90% without condensing

**Specifications subject to change without notice.**

Distech Controls and the Distech Controls logo are trademarks of Distech Controls Inc. ; LONWORKS is a registered trademark of Echelon Corporation ; Niagara<sup>AX</sup> Framework is a registered trademark of Tridium, Inc. ; ARM Cortex is a registered trademark of ARM Limited ; BACnet is a registered trademark of ASHRAE ; BTL is a registered trademark of the BACnet Manufacturers Association; Windows, Visual Basic.Net are registered trademarks of Microsoft Corporation. EnOcean is a registered trademark of EnOcean GmbH. All other trademarks are property of their respective owner.