

Programmable push-buttons/switches interface



The WMS-PB-8DI programmable push-button interface allows connecting push-buttons or switches to the Dalilon® and Karno® controllers, to controls lights and/or sunblind.

Moreover, it can be chained with another local control device such as a multi sensor, a hard-wired room office, or an infrared or radio receiver, to build up a powerful control system mixing with automatic and manual controls, lighting, sunblind and climate functions.

Its standard RJ9-RJ11 quick-connect daisy-chain link, makes it compatible with all Dalilon and Karno Controllers.

Its 8 digital inputs are programmable by means of a “dipswitch “ block, for applying to all kinds of operating modes.

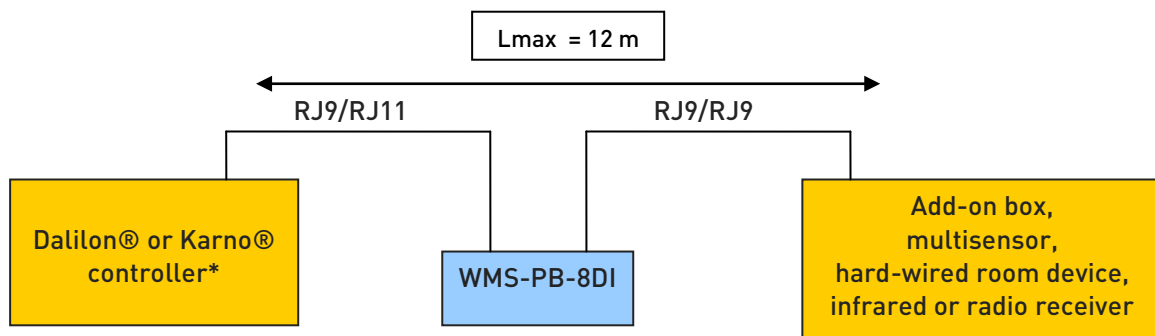
Application Field

The interface box 8 inputs allows to acquire and send to the network some variables dedicated to the management of :

- lighting circuits with or without dimming and/or sunblind circuits.
- Occupancy modes « Occupied / Unoccupied », boh for lighting/sunblind and HVAC.

Principe

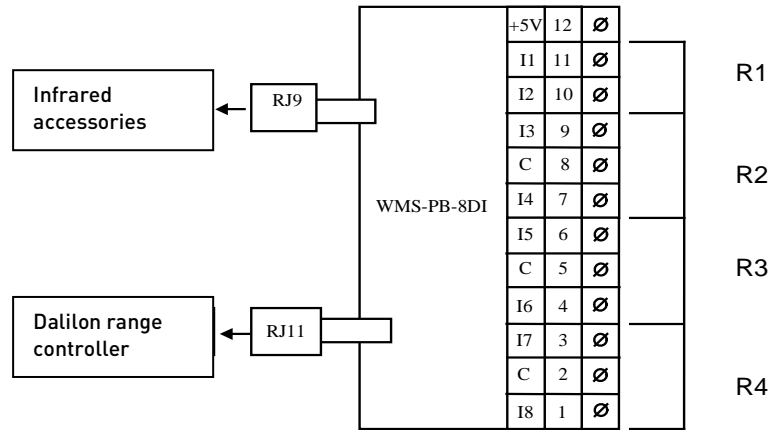
There is no specific position for the WMS-PB-8DI in the daisy-chain, the maximum lenght « L » of cable RJ9 /RJ11 (+) RJ9/RJ9 is 12m.



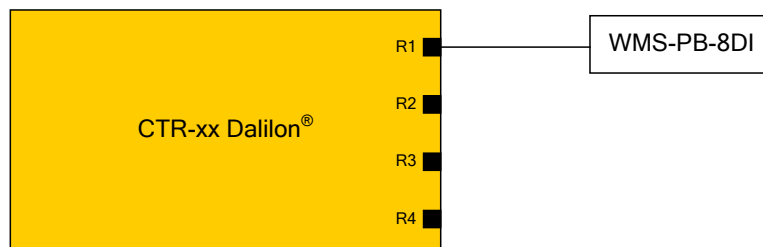
Mode 1 channel, mode 4 channels

Regarding its configuration, the Interface **WMS-PB-8DI** features several functions. There are 2 different modes : 1 channel or 4 channels.

Schématic WMS



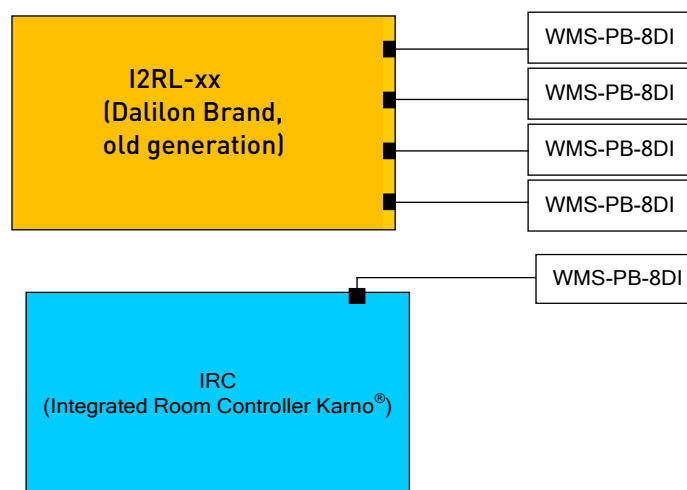
4 Channels Mode



In this mode, a single interface box is necessary to control the 4 RJ9 controls inputs of a 4-input controller. (R1- R2 -R3 - R4).

The interface box WMS is connected to the controls input R1 of the 4-input controller

1 Channel Mode



In this mode, an interface box controls only one RJ9 controls input of a controller.

This mode especially applies to the Karno® controllers and to the IRC controllers which are equipped with a single control input.

Functions

WMS-PB-8DI interface box :

Allows to manage the lighting (with or without dimming) of lights and sunblind equipments regarding the chosen configuration.

It allows to control the occupancy state of the room.

These functions are activated thanks to push buttons and switches using the same controller used with infrared or radio remote controls, or through network

The WMS-PB-8DI's entries works like a part of the remote controller (type TCND) or room device (type RS-DL).

This board is equipped with 8 dipswitches entries which can be allocated by groups of 2 contacts. Each group is linked to a specific command defined by the chosen configuration

Configurations

Different operating Modes Each operating mode is defined by the configuration of 8 « dipswitches », set during installation.	CHANNEL
Mode 1 Channel Controls sunblinds and lights (management of 1 room).	
Function 1 : Controls : - 2 groups of lights (ON - 100%/OFF - 0%). - 2 groups of sunblinds (Up/Stop/Down). Application example : 1 Office, 1 room.	1
Function 2 : Controls : - Presence activation : Timer function Turn off lights after a time « T » defined. - 2 groups of sunblinds (Up/Stop/Down). Application example : 1 stairs, 1 corridor.	1
Function 3 : Controls : - 2 groups of lights (ON- 100%). Automatic shut down (OFF - 0%) by BMS. - 2 groups of sunblinds (Up/Stop/Down). Application example : 1 Hall, 1 Parking.	1
Function 4 : Controls : - 2 groups of lights (ON - 100%/OFF - 0%). - 2 groups of sunblinds (Up/Stop/Down). Application example : 1 Office, 1 room Management of the room with switches only	1
Function 5 : Controls : - 2 groups of lights dimming « + » / « - ». - 2 groups of sunblinds (Up/Stop/Down). Application example : 1 Office, 1 room.	1

Mode 4 Channel Manages lights OR sunblind only (4 rooms management).	
<p>Function 6 : Management of :</p> <p>- « occupied » and « unoccupied » by Ri input (R1 to R4). Actions regarding Controller's parameters and chosen scene. Application example : Meeting Room, presentation</p>	4
<p>Function 7 : Management of :</p> <p>- 2 groups of lights (ON – 100%/OFF – 0%) by Ri input (R1 to R4). Application example : Room, Office.</p>	4
<p>Function 8 : Management of :</p> <p>- 2 groups of lights (ON – 100%) by Ri input (R1 to R4). Automatic shutdown (OFF – 0%) by BMS. Application example : Hall, Parking.</p>	4
<p>Function 9 : Management of :</p> <p>- 2 groups of lights (ON – 100%/OFF – 0%) by Ri input (R1 to R4). Application example : Room, Office. Management of lights from 4 rooms with switches only.</p>	4
<p>Function 10 : Management of :</p> <p>- 2 groups of sunblinds (Up/Stop/Down) by Ri input (R1 to R4). Application example : 4 Officex.</p>	4
<p>Function 11 : Management of :</p> <p>- 2 groups "lights" dimming « + » « - » by Ri input (R1 to R4). *Short push : Turn ON (100%) / Turn OFF (0%) of 2 lights groups. *Long push: Dimming « + » / dimming « - ». Availability : contact us Application example : Room, Office.</p>	4
<p>Function 12 : Management of :</p> <p>- 2 groups « lights » dimming « + » / « - » by Ri input (R1 to R4). Application example : Room, 4 Officex.</p>	4

Warnings

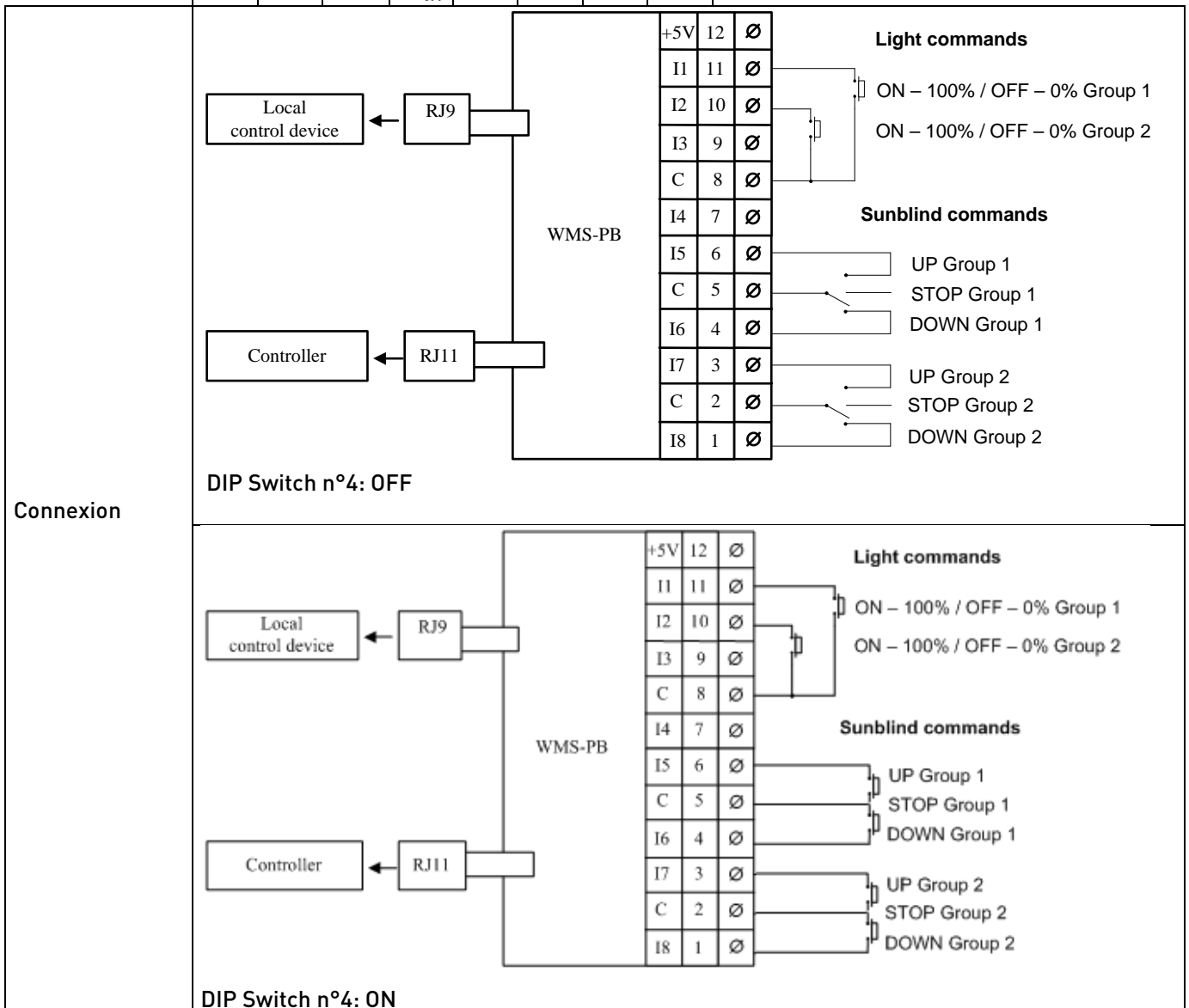
- Power must be off when programming the dipswitch block (remove RJ9 cable to controller)
- If programming has been done with power on, put power off then on again (remove and then plug again RJ9 cable to controller) to re-initialize the interface
- The operating mode of the remote controller is not linked to the WMS interface ones

Configuration et adressage par « dipswitch »

Mode 1 channel

Function n°1	Description	Channel
	Management of : - 2 groups of lights (ON - 100%/OFF - 0%). - 2 groups of sunblinds (Up/Stop/Down). Application example : 1 Office, 1 room.	1
Address		

1	2	3	4	5	6	7	8
ON	OFF	OFF	ON/OFF	OFF	OFF	OFF	OFF



Application description:

Push-button of **terminal 11** allows to turn ON-OFF the light group 1.

Push-button of **terminal 10** allows to turn ON-OFF the light group 2 .

For DIP Switch n°4 OFF

3 states Switch on **terminals 4, 5, 6** allows to go up, go down or stop the sunblind group 1.

3 states Switch on **terminals 1, 2, 3** allows to go up, go down or stop the sunblind group 2.

For DIP Switch n°4 ON

The pushbuttons on terminals 6 and 4 allow respectively to raise/lower, or to stop blinds group 1.

If the blinds group is stopped, the raising or lowering command is sent, and oppositely if the blinds are currently raising or lowering, the stop command is sent.

The pushbuttons on terminals 3 and 1 allow respectively to raise/lower, or to stop blinds group 2.

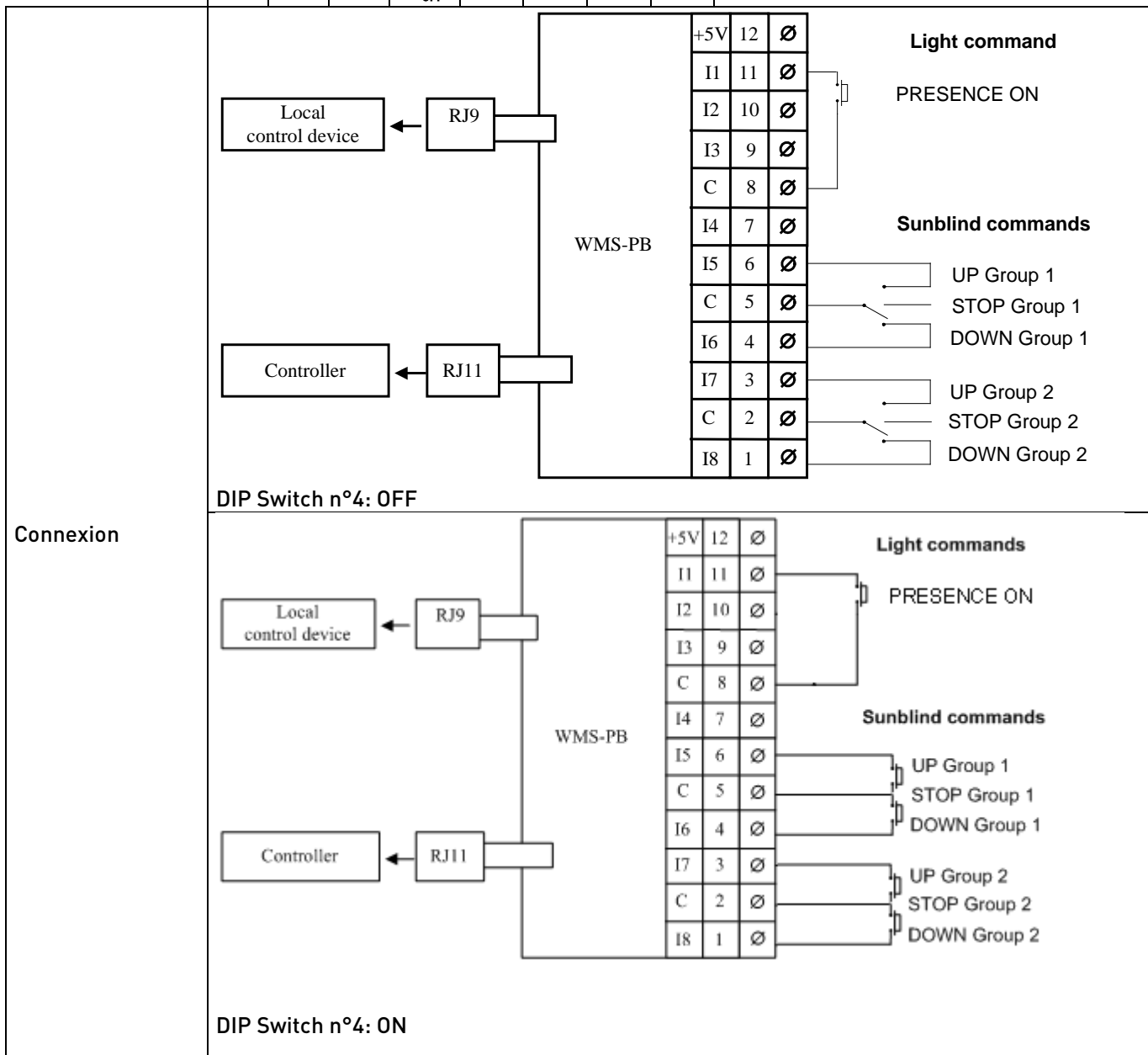
If the blinds group is stopped, the raising or lowering command is sent, and oppositely if the blinds are currently raising or lowering, the stop command is sent.

Note :

If a multisensor is connected to the pushbutton interface WMS-PB-8DI , presence detection should be done before to use buttons to manage the room.

Function n°2	Description :	Channel
	Management of : - Presence activation : Timer function Turn off lights after a time « T » defined. - 2 sunblinds groups (Up/Stop/Down). Application example : 1 stairs, 1 corridor.	1
Address		

1	2	3	4	5	6	7	8
OFF	ON	OFF	ON/OFF	OFF	OFF	OFF	OFF



Application description:

Push-button of **terminal 11** allows to activate presence (start of automatic lights regulation).

For DIP Switch n°4 OFF

3 position switch on **terminals 4, 5, 6** allows to go up, go down or stop the sunblind group 1.

3 position switch on **terminals 1, 2, 3** allows to go up, go down or stop the sunblind group 2.

For DIP Switch n°4 ON

The pushbuttons on terminals **6** and **4** allow respectively to raise/lower, or to stop blinds group 1.

If the blinds group is stopped, the raising or lowering command is sent, and oppositely if the blinds are currently raising or lowering, the stop command is sent.

The pushbuttons on terminals **3** and **1** allow respectively to raise/lower, or to stop blinds group 2.

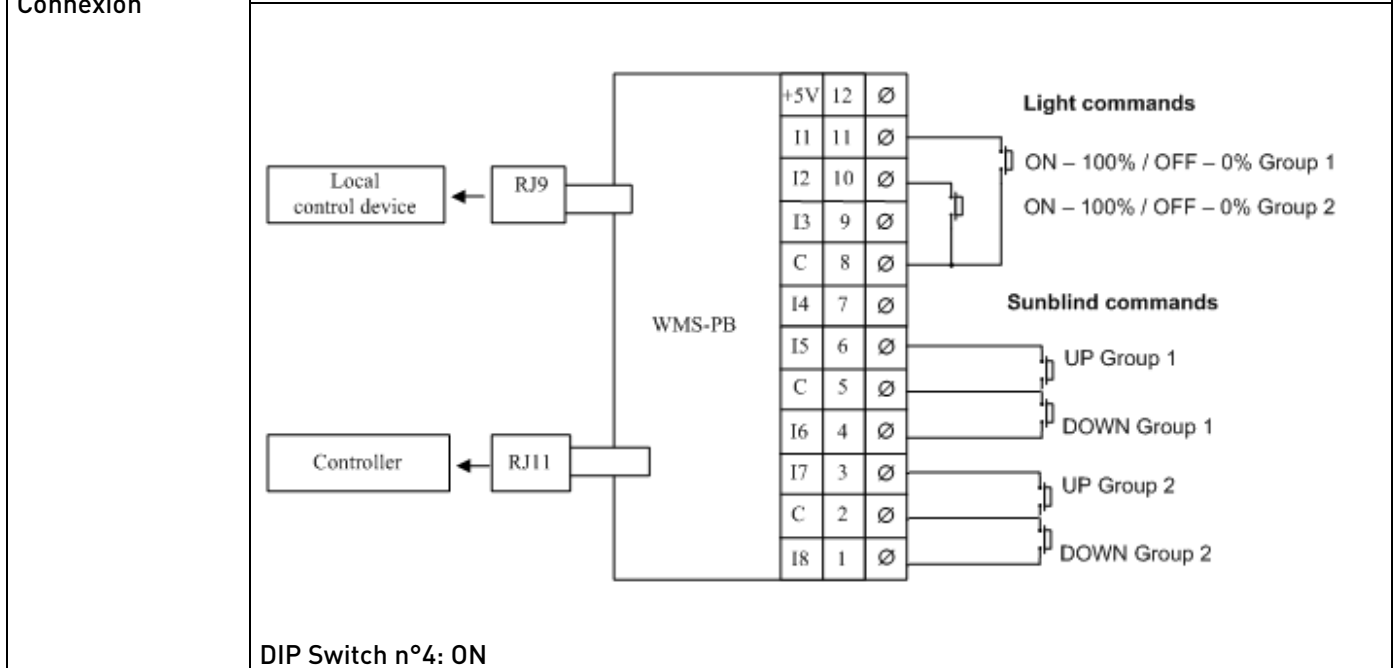
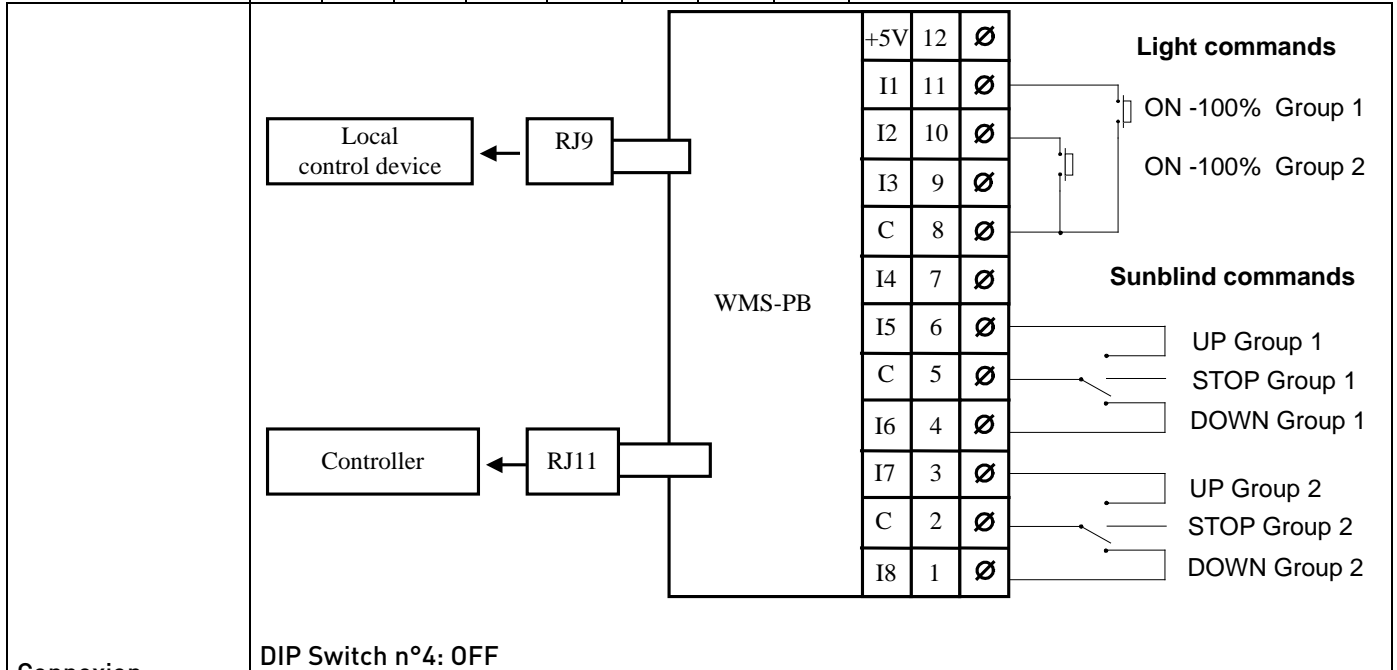
If the blinds group is stopped, the raising or lowering command is sent, and oppositely if the blinds are currently raising or lowering, the stop command is sent.

Note :

Use of multisensor with this function is forbidden.

Function n°3	Description	Channel
	Management of : - 2 groups of lights (ON- 100%). Automatic shut down (OFF - 0%) by BMS. - 2 groups of sunblinds (Up/Stop/Down). Application example : 1 Hall, 1 Parking.	1
Address		

1	2	3	4	5	6	7	8
ON	ON	OFF	ON/OFF	OFF	OFF	OFF	OFF



Application description:

Push-button of **terminal 11** allows to turn ON ONLY (100% of light group 1).

Push-button of **terminal 10** allows to turn ON ONLY (100% of light group 2).

For DIP Switch n°4 OFF

3 position switch **terminals 4, 5, 6** allows to go down, stop or go up sunblind group 1.

3 position switch **terminals 1, 2, 3** allows to go down, stop or go up sunblind group 2.

For DIP Switch n°4 ON

The pushbuttons on terminals 6 and 4 allow respectively to raise/lower, or to stop blinds group 1.

If the blinds group is stopped, the raising or lowering command is sent, and oppositely if the blinds are currently raising or lowering, the stop command is sent.

The pushbuttons on terminals 3 and 1 allow respectively to raise/lower, or to stop blinds group 2.

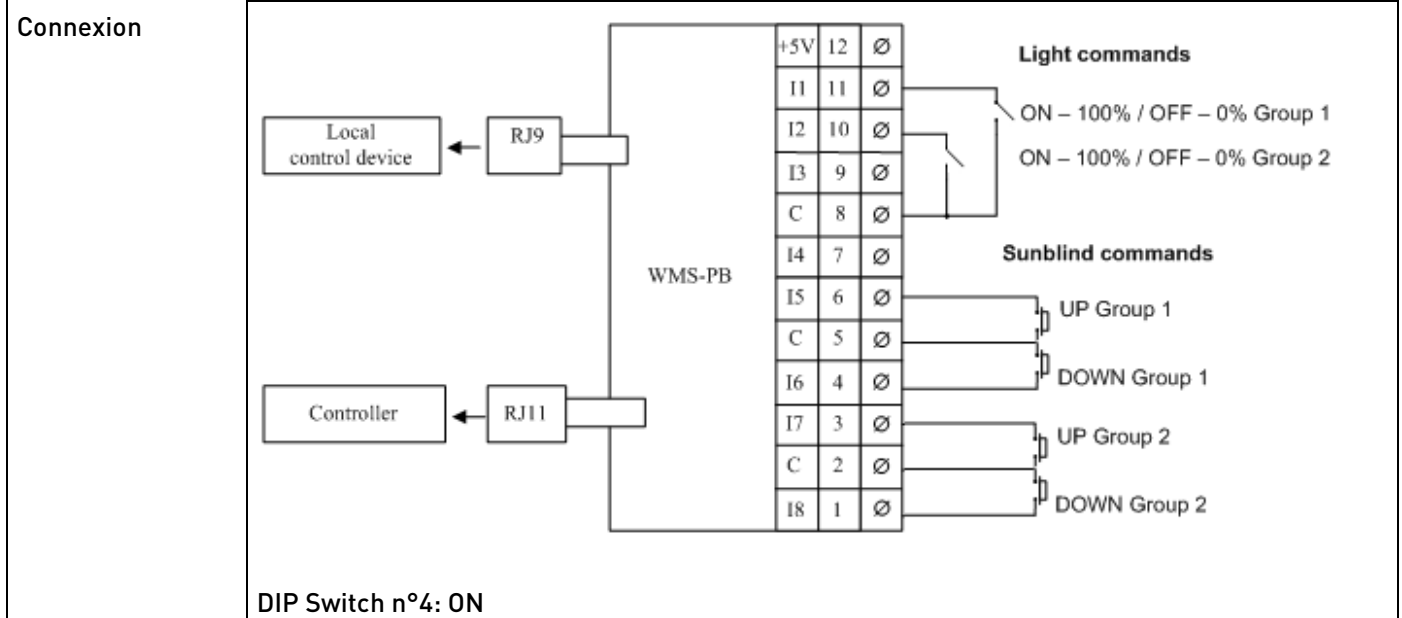
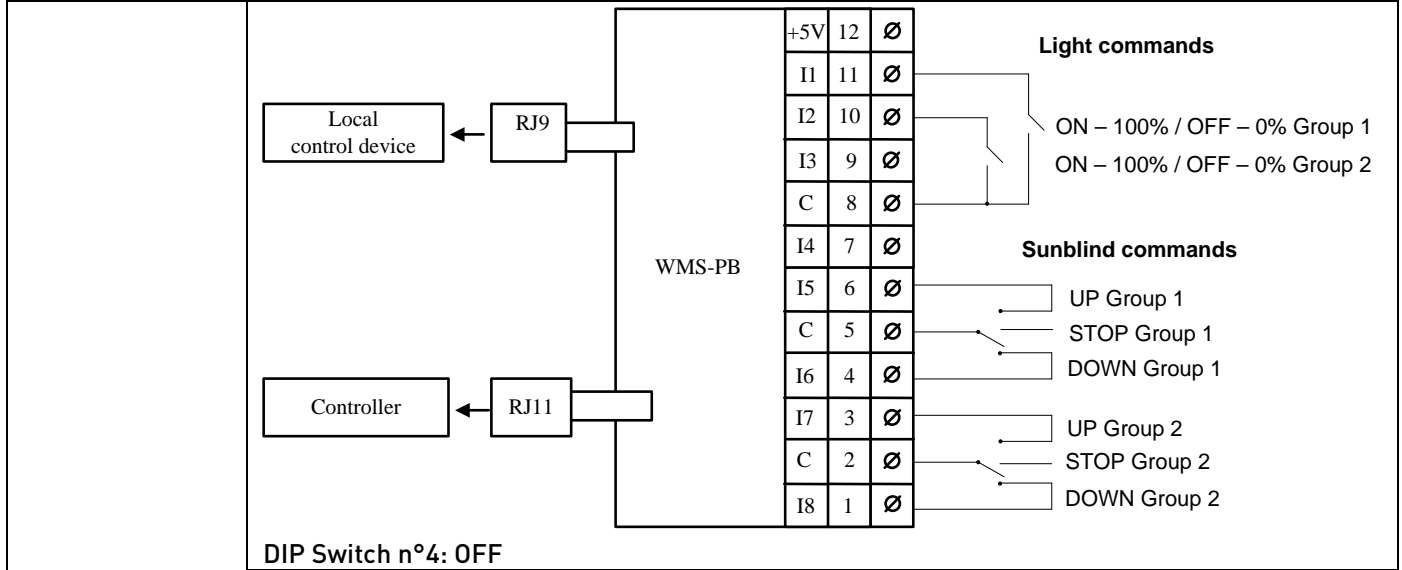
If the blinds group is stopped, the raising or lowering command is sent, and oppositely if the blinds are currently raising or lowering, the stop command is sent.

Note :

Use of multisensor with this function is forbidden.

Function n°4	Description	Channel
	Management of : - 2 groups of lights (ON – 100%/OFF – 0%). - 2 groups of sunblinds (Up/Stop/Down). Application example : 1 Office, 1 room Room management with switches only.	1
Address		

1	2	3	4	5	6	7	8
OFF	OFF	ON	ON/OFF	OFF	OFF	OFF	OFF



Application description:

Switch of terminal 11 allows :

- In closed position, to turn ON (100%) the lights group 1.
- In open position, to turn OFF (0%) the lights group 1.

Switch of terminal 10 allows :

- In closed position, to turn ON (100%) the lights group 2.
- In open position, to turn OFF (0%) the lights group 2.

For DIP Switch n°4 OFF

3 position switch **terminals 4, 5, 6** allows to go down, stop or go up sunblind group 1.

3 position switch **terminals 1, 2, 3** allows to go down, stop or go up sunblind group 2.

For DIP Switch n°4 ON

The pushbuttons on terminals 6 and 4 allow respectively to raise/lower, or to stop blinds group 1.

If the blinds group is stopped, the raising or lowering command is sent, and oppositely if the blinds are currently raising or lowering, the stop command is sent.

The pushbuttons on terminals 3 and 1 allow respectively to raise/lower, or to stop blinds group 2.

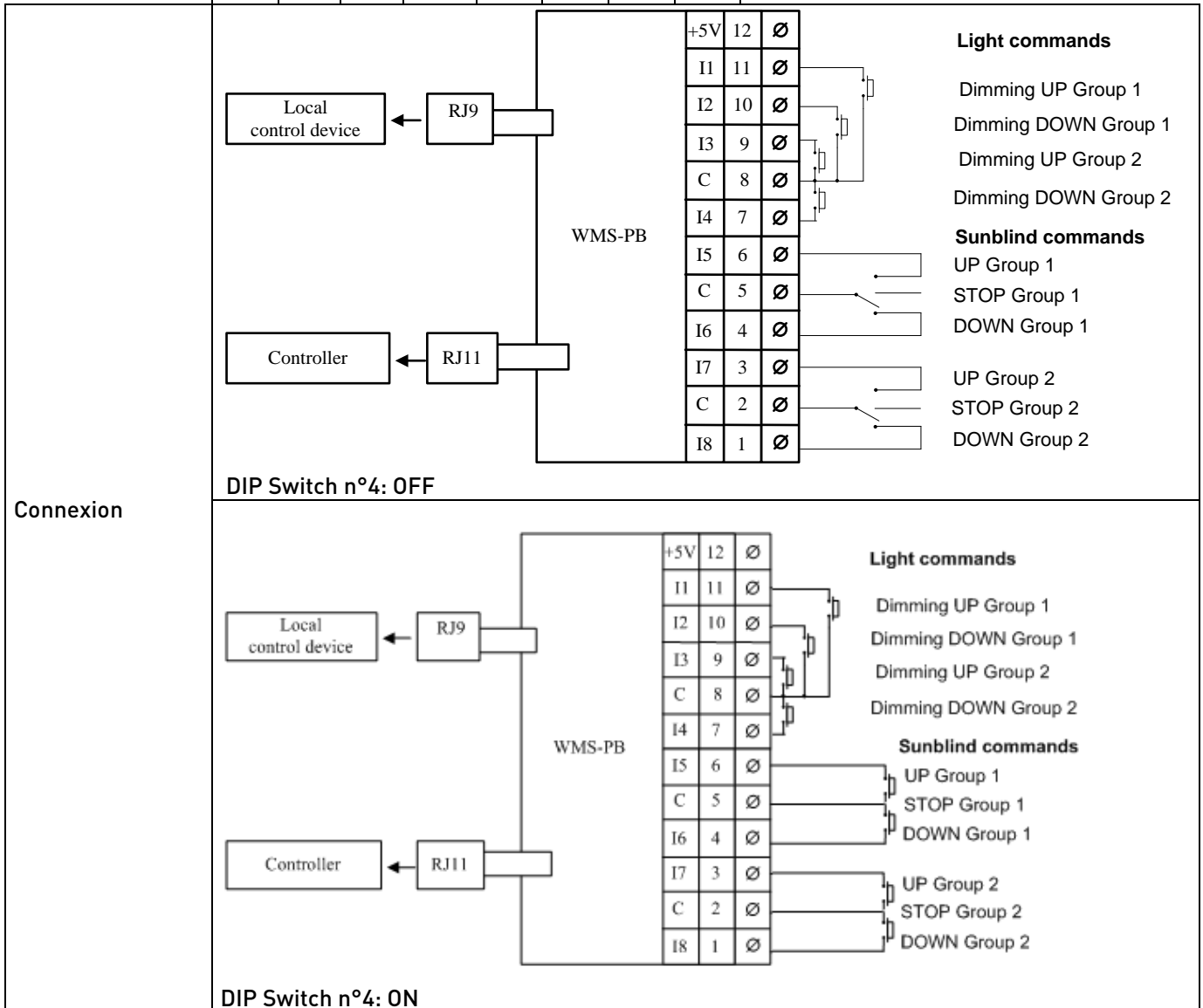
If the blinds group is stopped, the raising or lowering command is sent, and oppositely if the blinds are currently raising or lowering, the stop command is sent.

Note :

Use of multisensor with this function is forbidden.

Function n°5	Description	Channel
	Management of : - 2 groups of lights with dimming « + » / « - ». - 2 groups of sunblinds (Up/Stop/Down). Application example : 1 Office, 1 room.	1
Address		

1	2	3	4	5	6	7	8
ON	OFF	ON	ON/OFF	OFF	OFF	OFF	OFF



Application description:**Button of terminal 11:**

For each long press on button (>1sec) dimming « + » group 1 during the press.
When the press is released on button, stop of dimming « + » group 1.

Button of terminal 10 :

For each long press on button (>1sec) dimming « -> » group 1 during the press.
When the press is released on button, stop of dimming «-> » group 1.

Button of terminal 9 :

For each long press on button (>1sec) dimming « + » group 2 during the press.
When the press is released on button, stop of dimming « + » group 2.

Button of terminal 7 :

For each long press on button (>1sec) dimming « -> » group 2 during the press.
When the press is released on button, stop of dimming «-> » group 2.

For DIP Switch n°4 OFF

3 position switch terminals 4, 5, 6 allows to go down, stop or go up sunblind group 1.
3 position switch terminals 1, 2, 3 allows to go down, stop or go up sunblind group 2.

For DIP Switch n°4 ON

The pushbuttons on terminals 6 and 4 allow respectively to raise/lower, or to stop blinds group 1.
If the blinds group is stopped, the raising or lowering command is sent, and oppositely if the blinds are currently raising or lowering, the stop command is sent.
The pushbuttons on terminals 3 and 1 allow respectively to raise/lower, or to stop blinds group 2.
If the blinds group is stopped, the raising or lowering command is sent, and oppositely if the blinds are currently raising or lowering, the stop command is sent.

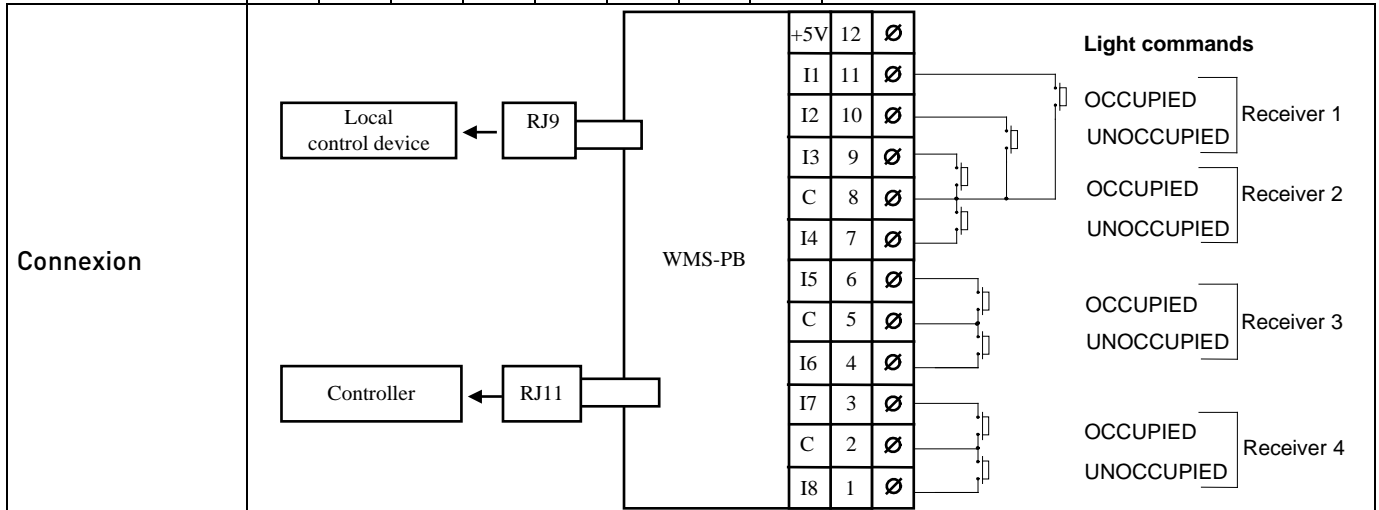
Note :

If a multisensor is connected to the pushbutton interface WMS-PB-8DI , presence detection should be done before using buttons to manage the room.

Mode 4 Channel

Function n°6	Description	Channel
	Management of : - « occupied » and « unoccupied » by Ri input (R1 to R4). Actions regarding Controller's parameters and chosen scene. Application example : Meeting Room, presentation	4
Address		

1	2	3	4	5	6	7	8
ON	OFF	OFF	OFF	OFF	OFF	OFF	ON



Legend :

R1, R2, R3, R4 =physical receptors of controller associated to 1 room.

Application description:

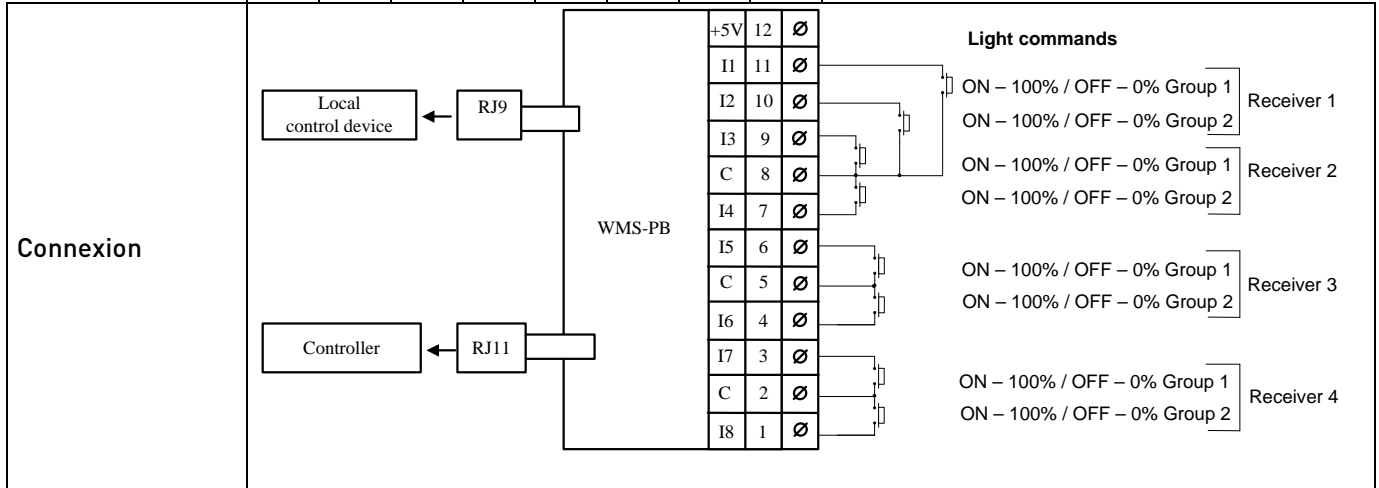
- Push-button of **terminal 11** of receiver **R1** sends an occupancy command for room **R1**.
- Push-button of **terminal 10** of receiver **R1** sends an unoccupancy command for room **R1**.
- Push-button of **terminal 9** of receiver **R2** sends an occupancy command for room **R2**.
- Push-button of **terminal 7** of receiver **R2** sends an unoccupancy command for room **R2**.
- Push-button of **terminal 6** of receiver **R3** sends an occupancy command for room **R3**.
- Push-button of **terminal 4** of receiver **R3** sends an unoccupancy command for room **R3**.
- Push-button of **terminal 3** of receiver **R4** sends an occupancy command for room **R4**.
- Push-button of **terminal 1** of receiver **R4** sends an unoccupancy command for room **R4**.

Note :

For proper operation, If a multisensor is connected to WMS-PB-8DI, it should be set on « absence detection »

Function n°7	Description	Channel
	Management of : - 2 groups of lights (ON – 100%/OFF – 0%) by Ri input (R1 to R4). Application example : Room, Office.	4
Address		

1	2	3	4	5	6	7	8
OFF	ON	OFF	OFF	OFF	OFF	OFF	ON



Legend :

R1, R2, R3, R4 =physical receptors of controller associated to 1 room.

Application description:

Push-button of **terminal 11** of receiver **R1** allows to turn ON-OFF the lights group 1.
Push-button of **terminal 10** of receiver **R1** allows to turn ON-OFF the lights group 2.

Push-button of **terminal 9** of receiver **R2** allows to turn ON-OFF the lights group 1.
Push-button of **terminal 7** of receiver **R2** allows to turn ON-OFF the lights group 2.

Push-button of **terminal 6** of receiver **R3** allows to turn ON-OFF the lights group 1.
Push-button of **terminal 4** of receiver **R3** allows to turn ON-OFF the lights group 2.

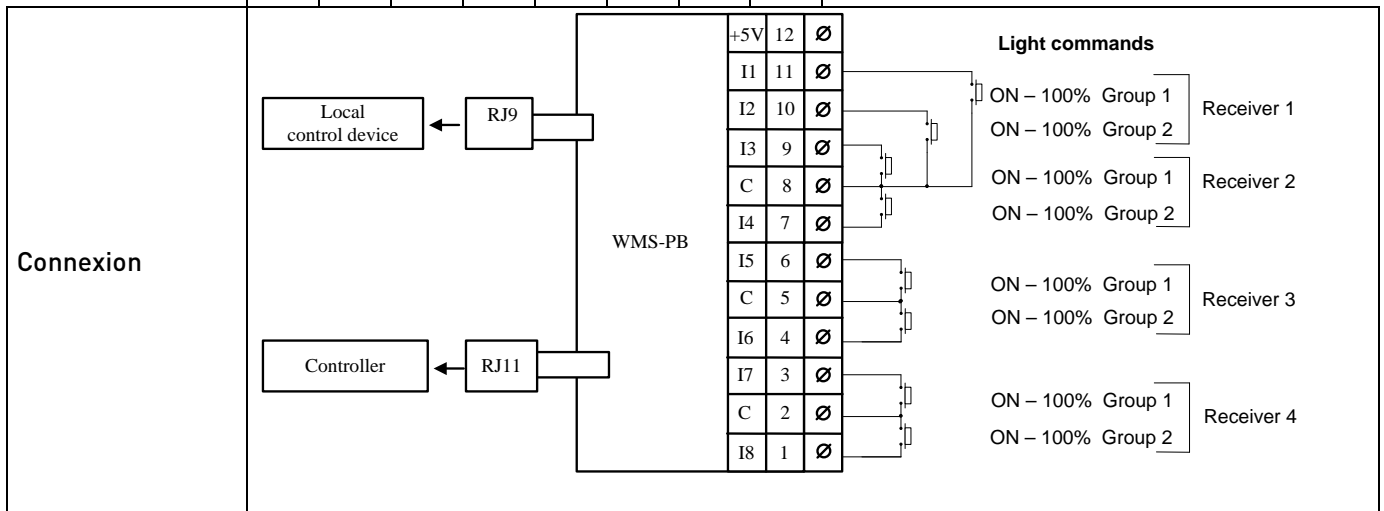
Push-button of **terminal 3** of receiver **R4** allows to turn ON-OFF the lights group 1.
Push-button of **terminal 1** of receiver **R4** allows to turn ON-OFF the lights group 2.

Note :

For proper operation, , If a multisensor is connected to WMS-PB-8DI, Presence detection should be enabled before using the buttons.

Fonction n°8	Description	Canaux
	Management of : - 2 groups of lights (ON – 100%) by Ri input (R1 to R4). Automatic Shut down (OFF – 0%) by BMS. Application example : Hall, Parking.	4
Adresse		

1	2	3	4	5	6	7	8
ON	ON	OFF	OFF	OFF	OFF	OFF	ON



Legend :

R1, R2, R3, R4 =physical receptors of controller associated to 1 room.

Description de l'application :

Push-button of terminal 11 of receiver R1 allows to turn ON ONLY (100%) the light group 1.

Push-button of terminal 10 of receiver R1 allows to turn ON ONLY (100%) the light group 2.

Shut down of lights (group 1 and 2) is done by BMS programmation

Push-button of terminal 9 of receiver R2 allows allows to turn ON ONLY (100%) the light group 1.

Push-button of terminal 7 of receiver R2 allows to turn ON ONLY (100%) the light group 2.

Shut down of lights (group 1 and 2) is done by BMS programmation

Push-button of terminal 6 of receiver R3 allows to turn ON ONLY (100%) the light group 1.

Push-button of terminal 4 of receiver R3 allows to turn ON ONLY (100%) the light group 2.

Shut down of lights (group 1 and 2) is done by BMS programmation

Push-button of terminal 3 of receiver R4 allows to turn ON ONLY (100%) the light group 1.

Push-button of terminal 1 of receiver R4 allows to turn ON ONLY (100%) the light group 2.

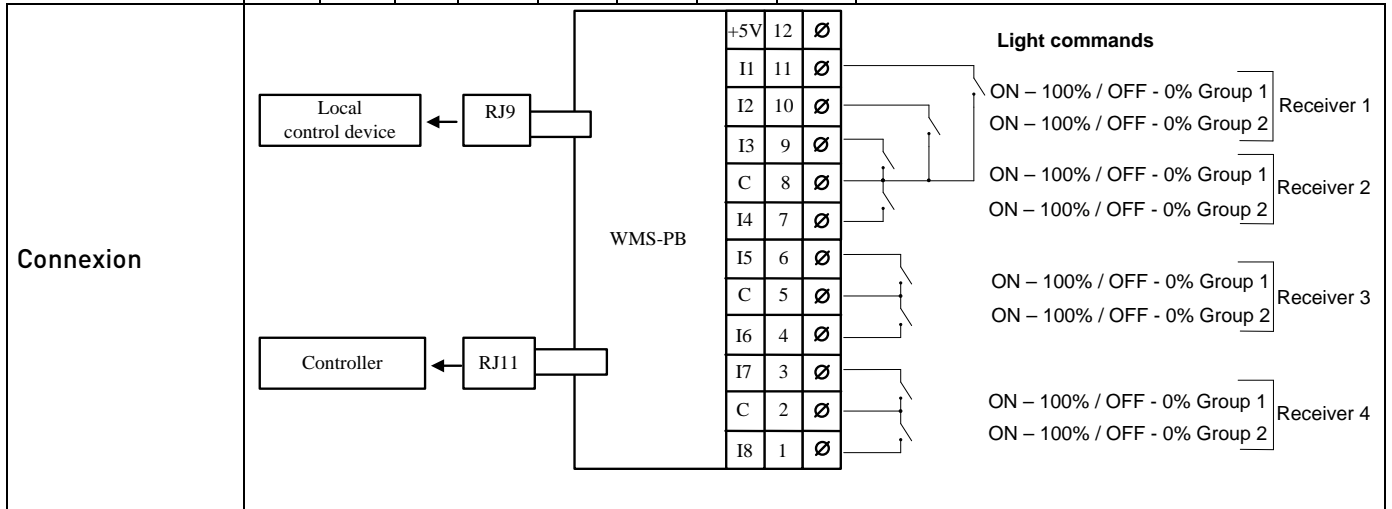
Shut down of lights (group 1 and 2) is done by BMS programmation

Note :

Multisensor use is forbidden with this function.

Function n°9	Description	Channel
	Management of : - 2 groups of lights (ON - 100%/OFF - 0%) by Ri input (R1 to R4). Application example : Room, Office. Management of lights from 4 rooms with switches only.	4
Address		

1	2	3	4	5	6	7	8
OFF	OFF	ON	OFF	OFF	OFF	OFF	ON



Legend :

R1, R2, R3, R4 =physical receptors of controller associated to 1 room.

Application description:

Switch of **terminal 11** of receiver R1 allows to turn ON-OFF the lights group 1.
 Switch of **terminal 10** of receiver R1 allows to turn ON-OFF the lights group 2.

Switch of **terminal 9** of receiver R2 allows to turn ON-OFF the lights group 1.
 Switch of **terminal 7** of receiver R2 allows to turn ON-OFF the lights group 2.

Switch of **terminal 6** of receiver R3 allows to turn ON-OFF the lights group 1.
 Switch of **terminal 4** of receiver R3 allows to turn ON-OFF the lights group 2.

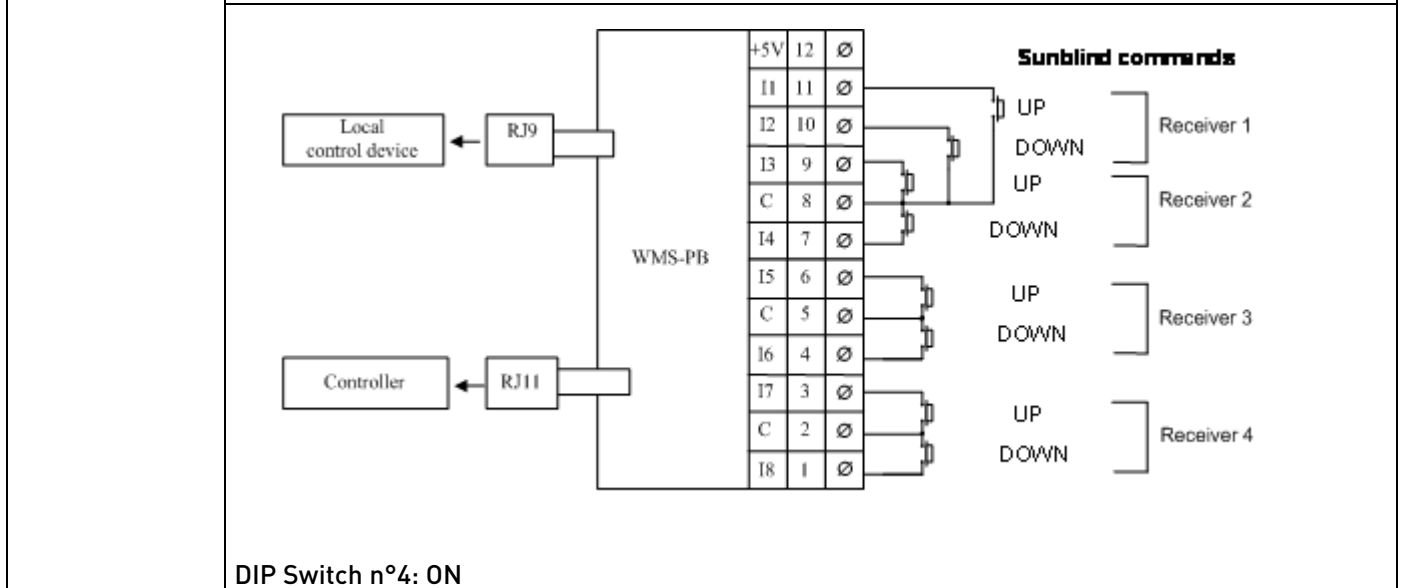
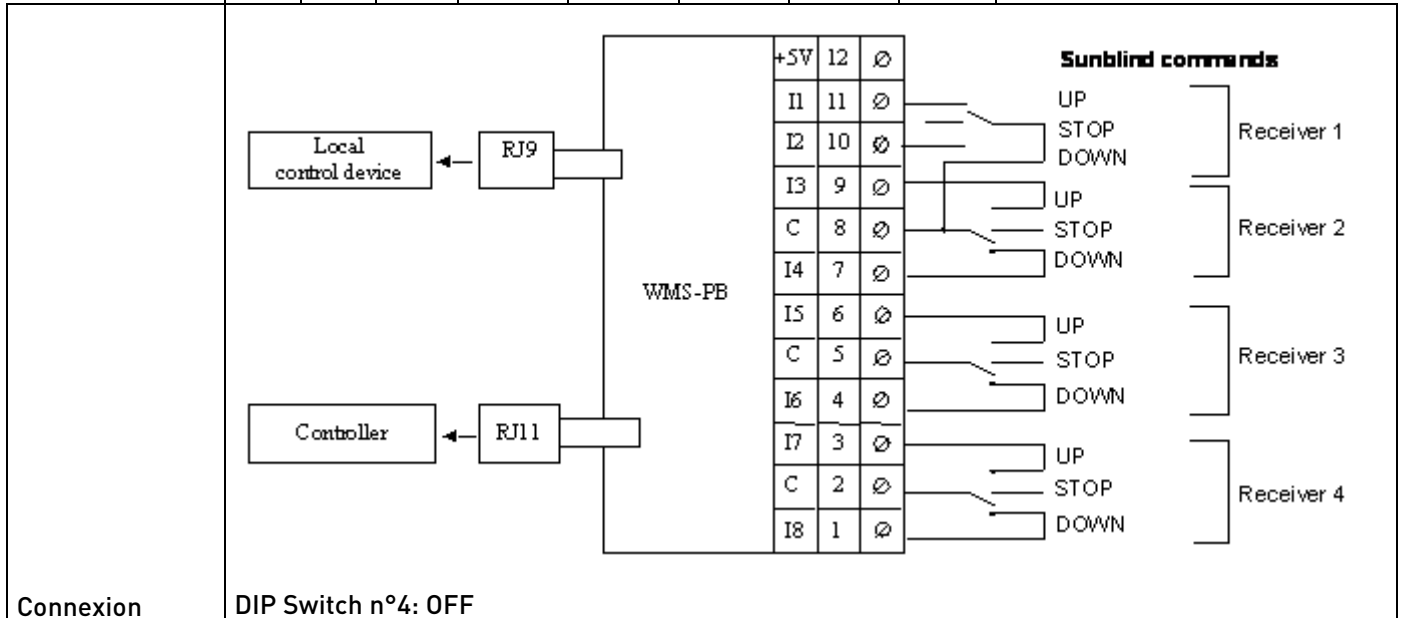
Switch of **terminal 3** of receiver R4 allows to turn ON-OFF the lights group 1.
 Switch of **terminal 1** of receiver R4 allows to turn ON-OFF the lights group 2.

Note :

Multisensor use is forbidden with this function.

Function n°10	Description	Channel
	Management of : - 4 groups of sunblinds (Up/Stop/Down) by Ri input (R1 to R4). Application example : 4 Offices.	4
Adress		

1	2	3	4	5	6	7	8
ON	OFF	ON	^{ON} / _{OFF}	OFF	OFF	OFF	ON



Application description:

DIP Switch n° OFF

3 states switches :

- of terminals 10, 8, 11 allows to go down, stop or go up sunblinds group 1 of receiver R1.
- of terminals 7, 8, 9 allows to go down, stop or go up sunblinds group 1 of receiver R2.
- of terminals 4, 5, 6 allows to go down, stop or go up sunblinds group 1 of receiver R3.
- of terminals 1, 2, 3 allows to go down, stop or go up sunblinds group 1 of receiver R4.

DIP Switch n°4 ON

The pushbuttons on terminals 11 and 10 allow respectively to raise/lower, or to stop blinds group 1.

If the blinds group is stopped, the raising or lowering command is sent, and oppositely if the blinds are currently raising or lowering, the stop command is sent.

The pushbuttons on terminals 9 and 7 allow respectively to raise/lower, or to stop blinds group 2.

If the blinds group is stopped, the raising or lowering command is sent, and oppositely if the blinds are currently raising or lowering, the stop command is sent.

The pushbuttons on terminals 6 and 4 allow respectively to raise/lower, or to stop blinds group 3.

If the blinds group is stopped, the raising or lowering command is sent, and oppositely if the blinds are currently raising or lowering, the stop command is sent.

The pushbuttons on terminals 3 and 1 allow respectively to raise/lower, or to stop blinds group 4.

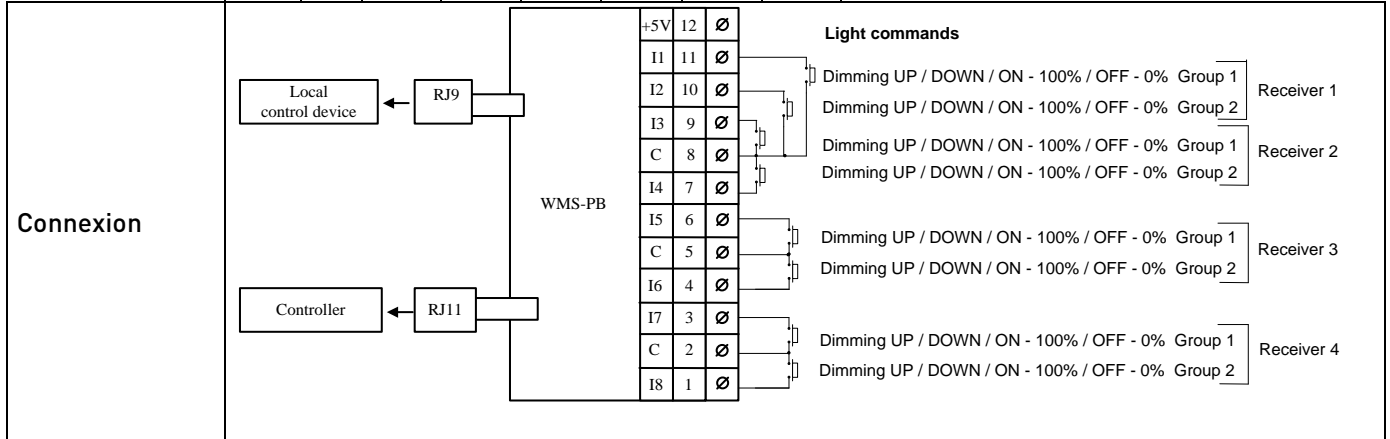
If the blinds group is stopped, the raising or lowering command is sent, and oppositely if the blinds are currently raising or lowering, the stop command is sent.

Note :

For proper operation, , If a multisensor is connected to WMS-PB-8DI, Presence detection should be enabled before using the switches.

Function n°11	Description	Channel
	Management of : - 2 groups "lights" dimming « + » « - » by Ri input (R1 to R4). *Short press : Turn ON (100%) / Turn OFF (0%) of lights groups. *Long press : Dimming « + » / dimming « - ». Availability contact us Application example : Room, Office.	4

Adress							
1	2	3	4	5	6	7	8
OFF	ON	ON	OFF	OFF	OFF	OFF	ON



Legend :

R1, R2, R3, R4 =physical receptors of controller associated to 1 room.

Application description:

Push-button of terminal 11 of receiver R1 allows to turn ON/OFF with short press or dimming +/- with long press of lights group 1.

Push-button of terminal 10 of receiver R1 allows to turn ON/OFF with short press or dimming +/- with long press of lights group 2.

Push-button of terminal 9 of receiver allows to turn ON/OFF with short press or dimming +/- with long press of lights group 1.

Push-button of terminal 7 of receiver allows to turn ON/OFF with short press or dimming +/- with long press of lights group 2.

Push-button of terminal 6 of receiver allows to turn ON/OFF with short press or dimming +/- with long press of lights group 1.

Push-button of terminal 4 of receiver allows to turn ON/OFF with short press or dimming +/- with long press of lights group 2.

Push-button of terminal 3 of receiver R4 allows to turn ON/OFF with short press or dimming +/- with long press of lights group 1.

Push-button of terminal 1 of receiver R4 allows to turn ON/OFF with short press or dimming +/- with long press of lights group 2.

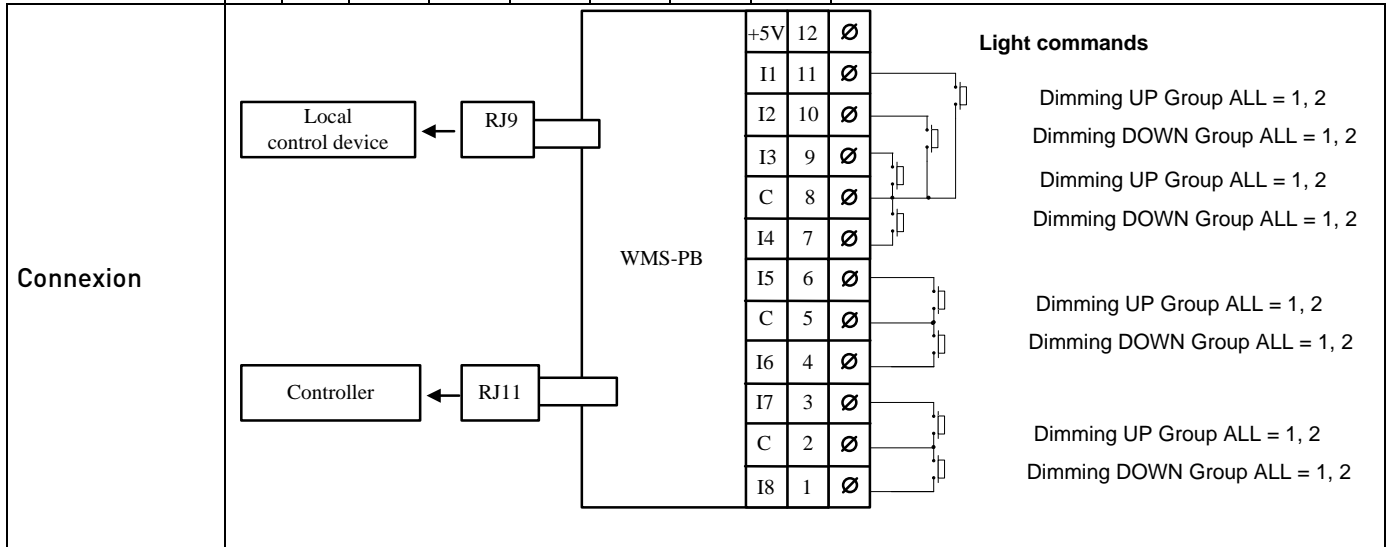
Note :

For proper operation, , If a multisensor is connected to WMS-PB-8DI, Presence detection should be enabled before using the switches.

Availability study regarding the installation : contact us.

Function n°12	Description	Channel
	Management of : - 2 groups « lights » dimming « + » / « - » by Ri input (R1 to R4). Application example : Room, 4 Offices.	4
Adress		

1	2	3	4	5	6	7	8
ON	ON	ON	OFF	OFF	OFF	OFF	ON



Legend :

R1, R2, R3, R4 = récepteurs physique du contrôleur correspondant à une room.

Application description:

Push-button of **terminal 11** of receiver R1 allows to dim + lights groups as long as the button is pressed.
Push-button of **terminal 10** of receiver R1 allows to dim - lights groups as long as the button is pressed.

Push-button of **terminal 9** of receiver R2 allows to dim + lights groups as long as the button is pressed.
Push-button of **terminal 7** of receiver R2 allows to dim - lights groups as long as the button is pressed.

Push-button of **terminal 6** of receiver R3 allows to dim + lights groups as long as the button is pressed.
Push-button of **terminal 4** of receiver R3 allows to dim - lights groups as long as the button is pressed.

Push-button of **terminal 3** of receiver R4 allows to dim + lights groups as long as the button is pressed.
Push-button of **terminal 1** of receiver R4 allows to dim - lights groups as long as the button is pressed.

Note :

For proper operation, If a multisensor is connected to WMS-PB-8DI, Presence detection should be enabled before using the switches.

Spécifications électriques

- The electronic board is powered by the **+5V voltage supplied by the controller** (compatible with the analogue presence detection sensor RS-P)
- The connectors on the board allow the use of any quick-connect cables of the Dalilon® range : **RJ9/RJ9** type (cables for local control devices) and **RJ9/RJ11** type (add-on boxes).
- The wiring of the push-buttons or switches is done by means of an unpluggable 12-points screw-type connector
- No external cable is supplied with the interface (recommended cable :rigid & 0,75mm² as diameter)
- For all infrared accessories of Dalilon® line , a **RJ9-RJ9** cable has to be used.

	RJ9-RJ9
5 m cable	CBL-05
8 m cable	CBL-08
12 m cable	CBL-12

	RJ9-RJ11
Câble of 0.30 mètres	CBL-003-RJ9-RJ11
Câble of 8 mètres	CBL-08-RJ9-RJ11
Câble of 12 mètres	CBL-12-RJ9-RJ11

To connect the WMS interface to a Dalilon CTR (light or sunblind), a RJ9/RJ11 cable is needed.
(For others length, contact us)

- The wiring of the WMS interface with another local control device (multisensor, infrared or radio receiver) is done by means of a RJ9/RJ9 cable of the Dalilon® range.

Environment

Operating temperature : 5°C to 45°C
Storage temperature : -20°C to +70°C
Relative humidity : +20% to +90%, no condensing

Combinaison d'appareils

Controllers	Description		Range
CTR-8L CTR-4L (on request)	Light controller, on/off, 4 or 8 outputs	1 or 4 channels	Dalilon
CTR-8LD CTR-4LD (on request)	Light controller, dimming, 4 or 8 outputs	1 or 4 channels	Dalilon
CTR-8S230 CTR-4S230 (on request)	Sunblind controller, 230V, 4 or 8 outputs	1 or 4 channels	Dalilon
CTR-8S24 CTR-4S24 (on request)	Sunblind controller, 24VDC, 4 or 8 outputs	1 or 4 channels	Dalilon
IRC - xxx	Climate controller for modular room controller, with add-on boxes for light and sunblind control	1 channel	Karno
SRC - xxx	Climate controller, configurable I/O, 0-10Vdc Output (occupancy / unoccupancy)	1 channel	Karno
I2RL range (old models)	Light and sunblind controllers	1 channel	Dalilon

Local control devices (RJ9)	Description		range
RIR-x	Infrared receiver -I(translucent), -B (white)	X	Dalilon
RFR-D	Radio receiver	X	Dalilon
MSx	Multisensor, presence and lux level (RJ9)	X	Dalilon
RS-P	analogical Presence detector, (please consult us for wiring)	X	Dalilon

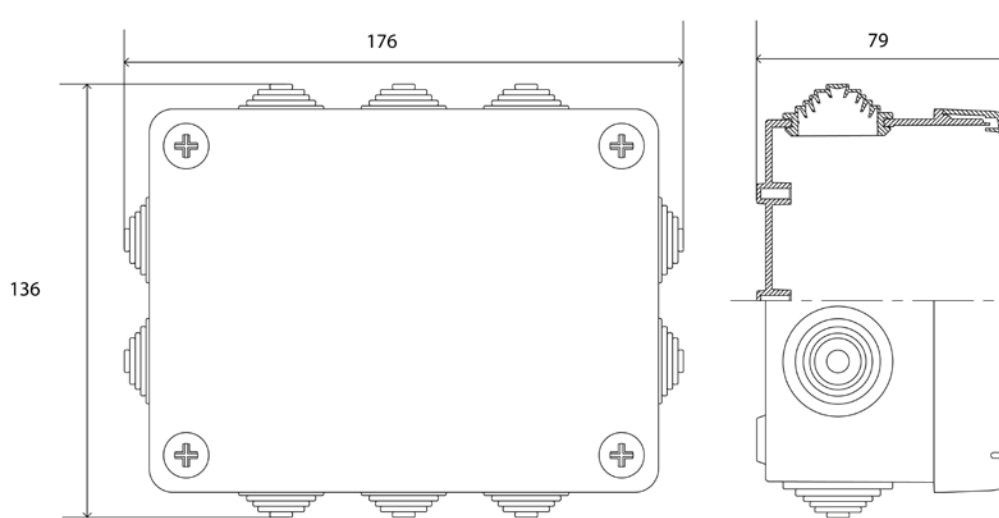
Mechanical specifications

The interface is packaged in an IP55 plastic box, provided with openings for the cables.

The electronic board (dimensions :72 x 55mm) is screwed on the bottom of the box.

For an easy wiring, it is recommended to unscrew the board to plug and wire all connecting cables, then to screw it again once wired.

The IP55 protection depends on a careful wiring of the interface.



Internal dimensions :
150 x 111 x 70 mm