



Overview

The PMD2VA is a power supply unit which converts mains AC voltage to 15VDC in order to power EC-BOS^{AX} controllers and associated EC-Net^{AX} I/O modules. Housed in a compact DIN rail mounting enclosure, the PMD2VA employs the latest switch mode powered circuitry to provide a cost-effective PSU solution. Screw terminal connectors and specially provided flying leads ensure robust wiring to the EC-BOS^{AX}.

The PMD2VA has passed its full-load burn-in testing and has shown to consume less than 0.75W at no load.

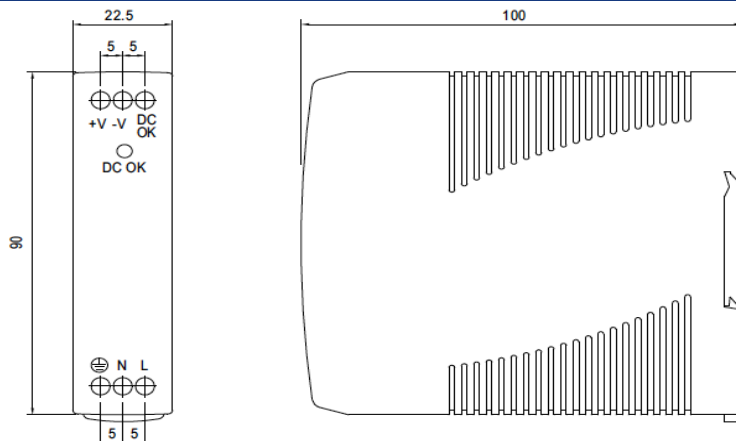
Applications

- Provides power to:
 - EC-BOS^{AX} controllers
 - EC-Net^{AX} I/O modules

Features & Benefits

- Supports universal AC input
- Powers up to four I/O modules at the same time in addition to an EC-BOS^{AX}
- Protects:
 - Short circuits
 - Overload
 - Excess voltage
- Cools by free air convection
- Contains a built-in DC OK active signal
- Has < 0.75W no-load power consumption

Dimensions (in mm)



Product Specifications

Output

DC Voltage	15V
Rated Current	0.67A
Current range	0 – 0.67A
Rated Power	10W
Ripple & Noise (max)	120mVp-p
Voltage tolerance	+/-3%
Line regulation	+/-1%
Load regulation	+/-3%
Setup rise time	500ms, 30ms/230Vac
Hold up time (typical)	50ms/230Vac 20ms/115Vac

Protection

Overload power	Above 105% rated output
Protection type:	Hiccup mode, recovers automatically after fault condition is removed
Over voltage	17.25 – 20.25V

Function

DC OK Active signal (max.)	11.5 – 16.5V /40mA
----------------------------	--------------------

Environment

Operating temperature range	-20 to 70°C
Storage temperature range	-40 to 85°C
Relative humidity	20 to 90% RH, non-condensing

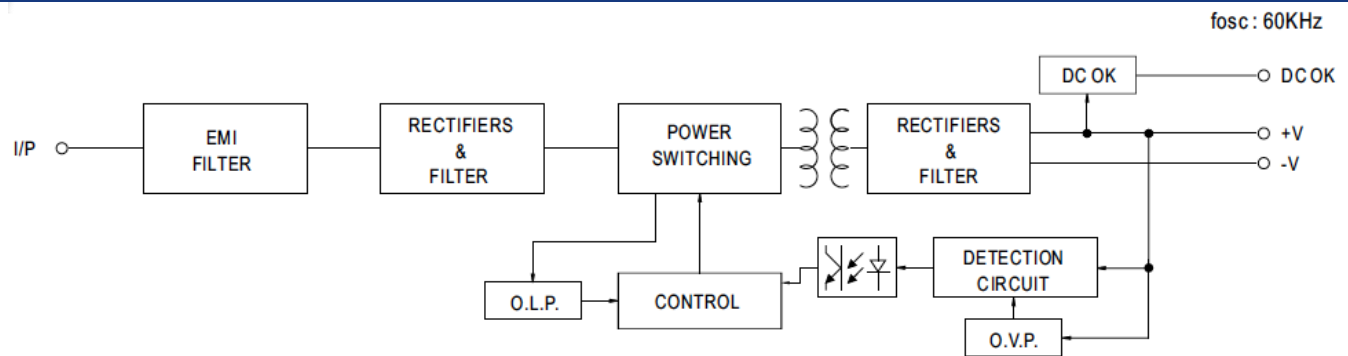
Agency Listings

CE, UL508, TUV EN60950-1 approved, NEC class 2 /LPS compliant, EN55011, EN55022 (CISPR22), EN61204-3 Class B, EN61000-4-2, 3, 4, 5, 6, 8, 11, ENV50204, EN61000-6-1, EN61204-3

Input

Voltage range	85-264Vac 120-370Vdc
Frequency range	47-63Hz
Efficiency (typical)	80%
AC current (typical)	0.21A/230Vac 0.33A/115Vac
Inrush current (typical)	Cold start 70A/230Vac 35A/115Vac
Leakage current	<1mA/240Vac

Functional Block Diagram



For more information on the PMD2VA DIN rail PSU or other Distech Controls products, please refer to our web site at www.distech-controls.eu or contact sales@distech-controls.eu

Product Warranty & Total Quality Commitment

All Distech Controls product lines are built to meet rigorous quality standards and carry a two-year warranty. Distech Controls is an ISO 9001 registered company. Distech Controls' products provide both the contractor and the end user with the flexibility of using "best-of-breed" products in system design.

Specifications subject to change without notice.

Distech Controls and the Distech Controls logo are trademarks of Distech Controls, Inc. Products or features contained herein may be covered by one or more U.S. or foreign patents. ©2009 Distech Controls Inc.



05DI-DSPMD2E-10

PMD2VA DIN Rail PSU

www.distech-controls.eu