

ECLYPSE™ Wi-Fi Adapter

Wi-Fi Adapter for the ECLYPSE
Connected Controller Series

ECLYPSE™



Overview

The ECLYPSE Wi-Fi Adapter enables an ECLYPSE Controller to wirelessly communicate on a Wi-Fi network. Its flexible architecture makes it usable as a Wi-Fi client and a Wi-Fi access point/hotspot.

Features & Benefits

- Wi-Fi Access Point - extending the building's wired IP network to your Wi-Fi Client devices.
- Wi-Fi Client - Connection to the building's existing Wi-Fi network or to another controller's Wi-Fi Hotspot or Access Point.
- Wi-Fi Hotspot - your own wireless area network, for wireless communication between the controllers, or with a mobile device or laptop for configuration, commissioning and servicing.

Product Specifications

Power Supply Input

Power Source	USB powered
Power Consumption	2.5W / 5VA

Communications

Supported Protocols	IEEE 802.11b/g/n
Frequency Band	2.4GHz
Number of Connected Devices in Hotspot/Access Point Mode	16 maximum
Encryption	WPA2 (hotspot/access point)
Range, Unobstructed Line of Sight	50 feet typical

Hardware

Connector	USB Type A plug
Cable length	6 feet (1.83m)

Mechanical

Dimensions (W × diameter)	3.94 × Ø 1.61" (100 × Ø 40 mm)
Shipping Weight	0.4lbs (0.18kg)
Enclosure Material ¹	FR/ABS
Enclosure Rating	Plastic housing, UL94-V0 flammability rating

1. All materials and manufacturing processes comply with the RoHS directive and are marked according to the Waste Electrical and Electronic Equipment (WEEE) directive

Installation Options

Mounting Bracket (hardware supplied)

Dimensions (H × W × D)	1.82 H × 3.15 W × 1.58" D (46.15 × 80.00 × 40.13 mm)
------------------------	---

Mounting Screw Hole Diameter	0.15" Ø (3.80 mm)
------------------------------	-------------------

Floating Ceiling Panel/Tile (hardware supplied)

Flange Diameter	Ø 2.95" (75 mm)
-----------------	-----------------

Mounting Hole Diameter	Ø 1-7/8" (48 mm)
------------------------	------------------

Electrical Panel

Hole Diameter	¾-inch NPT electrical panel knockout
---------------	--------------------------------------

Flat Surface

Hole Diameter	Nominal Ø1.115" (26.9 to 32.5mm) hole size
---------------	--

Environmental

Operating Temperature	32°F to 107.6°F (0°C to 45°C)
Storage Temperature	14°F to 149°F (-10°C to 65°C)
Relative Humidity	15 to 90% Non-condensing
Ingress Protection Rating	IP20
Nema Rating	1

Standards and Regulations

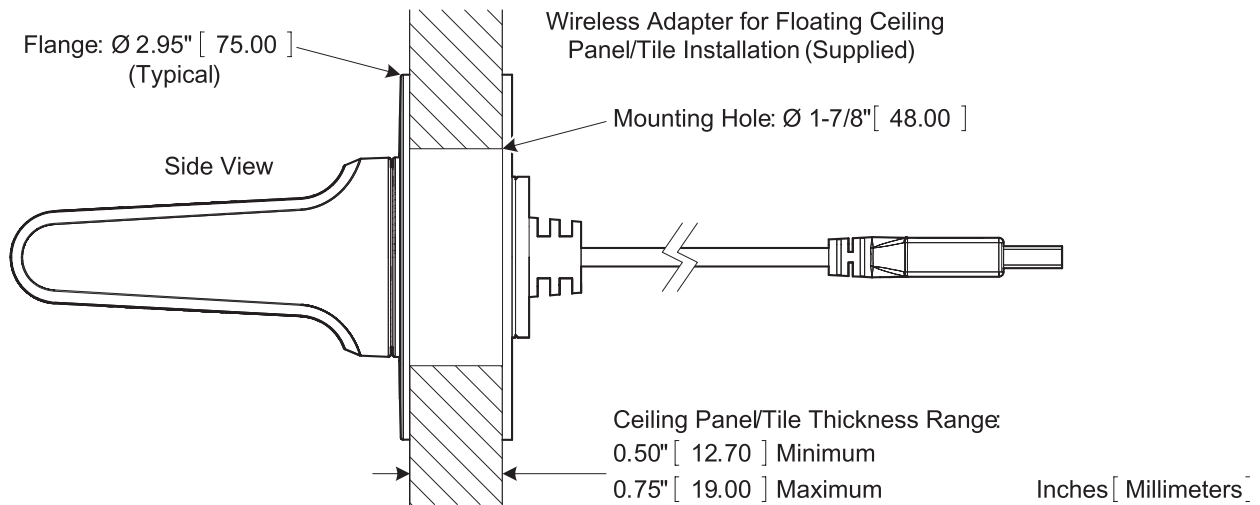
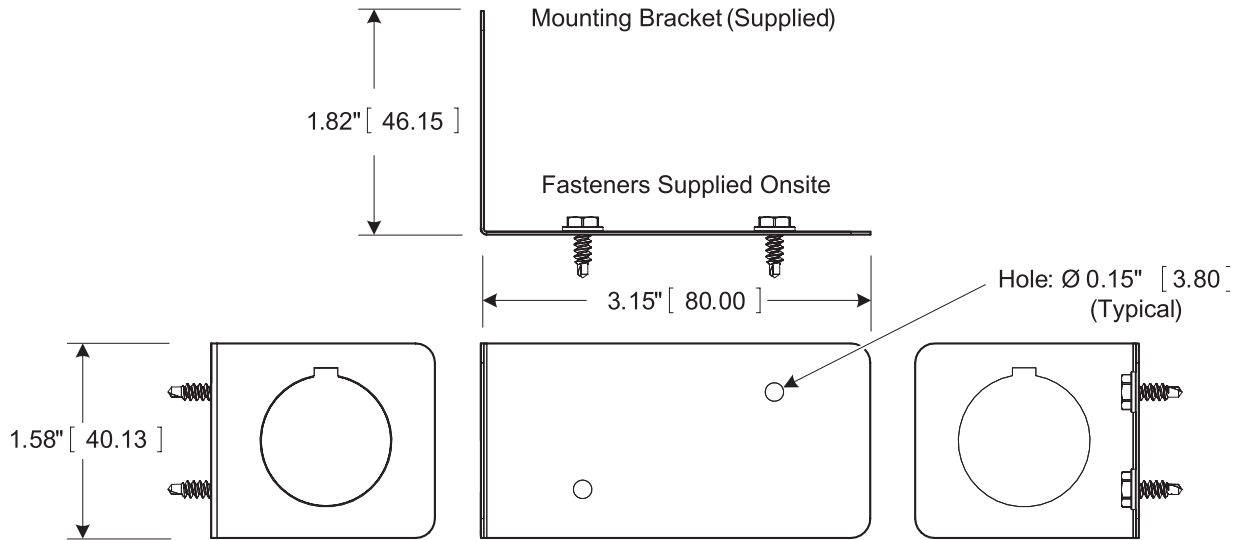
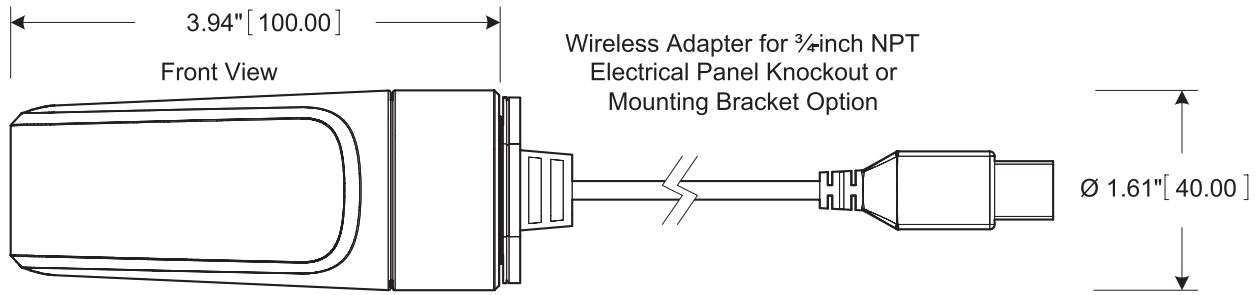
FCC

IC

CE

C-Tick





Specifications subject to change without notice.

ECLYPSE, Distech Controls, the Distech Controls logo, EC-Net, Allure, and Allure UNITOUCH are trademarks of Distech Controls Inc. BACnet is a registered trademark of ASHRAE; BTL is a registered trademark of the BACnet Manufacturers Association. The Bluetooth® word mark and logos are registered trademarks owned by Bluetooth SIG, Inc. and any use of such marks is under license. All other trademarks are property of their respective owners.

©, Distech Controls Inc., 2015 - 2020 All rights reserved.

Global Head Office - 4205 place de Java, Brossard, QC, Canada, J4Y 0C4 - EU Head Office - ZAC de Sacuny, 558 avenue Marcel Mériex, 69530 Brignais, France